



PV-ezRack SolarRoof

Reliable, robust roof mounting system with high quality components designed for the harshest conditions.



PV-ezRack SolarRoof

PV-ezRack SolarRoof has been developed for residential PV installations on tin and tile roofs. The components are easy to install and can be used for flush as well as tilted systems, on a large variety of roof types. The interfaces, rails and clamps use high quality, robust and corrosion resistant materials including structural grade aluminium alloy (AL6005-T5) and stainless steel (SUS304).

Main Benefits

Quick and easy installation

Innovative and internationally patented, the Z-Module technology is used in almost all SolarRoof components. The Z-Module provides a quick, easy and safe installation method. It can be inserted in to the rail at any given point, and secured with just three hand grips.

Versatility

A large variety of roof hooks, tin roof fixings, tilt legs and adapters help ensure that you will find a suitable fixing method for almost every roof, where fixing with or without penetration is required.

Wide range of tilting

With three adjustable tilt legs, these parts can tilt panels from between 10-60 degrees. Through its innovative design, the tilt legs can cope with all common purlin distances.

Universal

SolarRoof has suitable mid and end clamps for every size of solar panel including frameless, thin film panels or special clamps for cyclonic regions. In the growing range of clamps, cable clips, adapters and accessories you're sure to find the parts you require for your residential rooftop mounting needs.



C-U/30/46 C-U/30/46-G

Universal Clamp

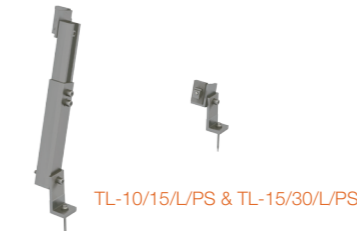
PV-ezRack Universal Clamp, with dual functionality (inter and end clamp), is applicable with most common framed PV modules from 30 mm to 46mm in height. Inbuilt grounding clip is also available.



ER-IC-ST ER-EC-ST ER-EC-DU35/40 RE-EC-DU40/46

Inter and End clamps

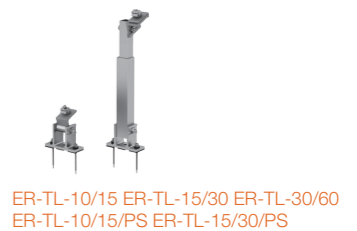
The PV-ezRack Inter and End clamps offer a simple, easy to use and robust fixing of the PV panels (of all sizes) using the patented Clenergy Z-module. Compatible clamps for thin film modules are also available.



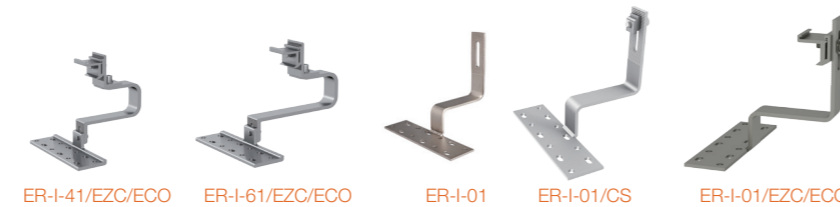
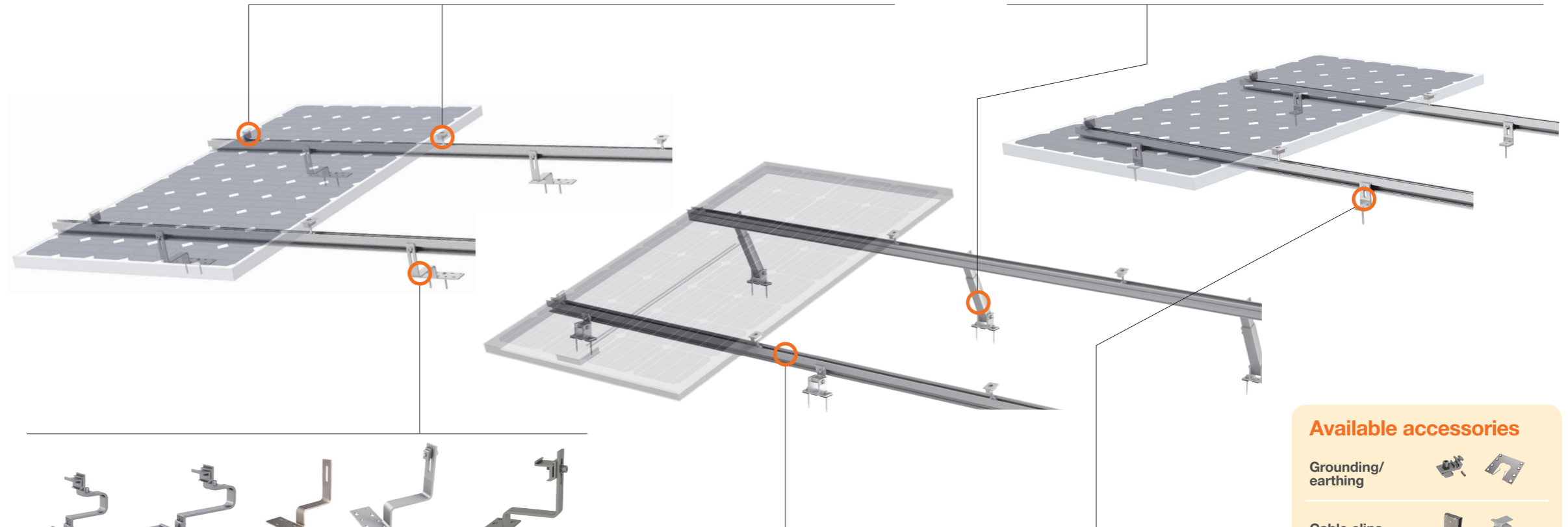
TL-10/15/L/PS & TL-15/30/L/PS

Adjustable tilt legs

One of Clenergy's first innovations, this universal design allows a wide range of tilt angles with only one component. The tilt leg is made entirely of structural grade aluminium profiles connected with stainless steel fasteners.



ER-TL-10/15 ER-TL-15/30 ER-TL-30/60 ER-TL-10/15/PS ER-TL-15/30/PS



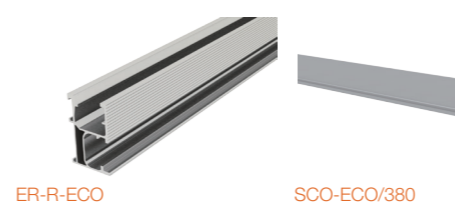
ER-I-41/EZC/ECO ER-I-61/EZC/ECO ER-I-01 ER-I-01/CS ER-I-01/EZC/ECO



ER-I-02 ER-I-04 ER-I-23 ER-I-26 ER-I-51

Tile interface

SolarRoof has high quality roof hooks which are suitable for most types of tile roofs. Side mounted or landscape tile interfaces can be used to cater for special mounting needs. Roof hook extenders are also part of the range for installations on high corrugation tiles such as Spanish tiles.



ER-R-ECO SCO-ECO/380

ECO Rail

Specifically developed to achieve larger spans, the SolarRoof ECO-Rail has reduced the number of required fixings. The ECO-Rails have two patented Z-Module channels with one at top for panel mounting and the second on side for connecting to the roof interface. The ECO-Rail comes in 2100, 3150 and 4200mm lengths.



ER-I-05 ER-I-05/CM ER-I-05A/EZC/ECO ER-I-25 EZ-AD-C43

Tin interface

The robust aluminium L-feet, which provides a height adjustment of almost 30mm, is designed for corrugated and trimdek type tin roofs. It comes with Z-Module, Click Module or ez Connection, which is pre-assembled and helps to ease the Rail installation.

Available accessories

Grounding/earthing

Cable clips

Isolator Shade/ Angle Bracket

Rail caps

Materials

AL6005-T5 | SUS304

Contact us or one of our qualified resellers for a personalised quotation today.

10 Year Warranty* **Commercial** **Residential**

International Patent PCT/AU2009/000616

*see Clenergy PV-ezRack warranty for further details





Clenergy Australia

1/10 Duerdin Street, Clayton VIC 3168 Australia
 Tel: +61 3 9239 8088 Fax: +61 3 9239 8024
 E-mail: sales@clenergy.com.au
www.clenergy.com.au

Clenergy China

999-1009 Min'an Rd, Huoju Hi-tech Ind. Dev. Zone
 Xiang'an District 361101, Xiamen, Fujian, China
 Tel: +86 592 311 0088 Fax: +86 592 599 5028
 E-mail: sales@clenergy.com.cn
www.clenergy.com.cn

Clenergy EMEA

Esplanade 41, 20354 Hamburg, Germany
 Tel: +49 (0) 40 3562 389 00
 E-mail: sales.emea@clenergy.com

Clenergy Japan

Nittochi Yamashita Building 5th Floor
 23 Yamashita-cho, Yokohama, 231-0023 Japan
 Tel: +81 45 228 8226 Fax: +81 45 228 8316
 E-mail: sales@clenergy.co.jp
www.clenergy.jp

Clenergy Philippines

145 Yakal St., San Antonio village, Makati City,
 Philippines
 Tel: +63 977 8407240
 E-mail: sales_ph@clenergy.com
www.clenergy.ph

Clenergy Thailand

9/2, 5th Floor, Vorasin Building, Soi Yasooob 2, Viphavadee-Rungsit
 Road, Chomphon Sub-district, Chatuchak District, Bangkok 10900
 Tel: +66 (0) 2 277 5201, +66 (0) 6 3228-0200
 E-mail: sales_th@clenergy.com, support_th@clenergy.com
www.clenergythailand.com

Clenergy Singapore

24 Raffles Place #28-01 Clifford Centre Singapore 048621
 Tel: +65 9743 1425
 E-mail: vincent.chan@clenergy.com

Clenergy Malaysia

Tel: +86 18750231005
 E-mail: sales_em@clenergy.com

Clenergy Vietnam

Tel: +86 592 3110095
 E-mail: sales_vietnam@clenergy.com; susie.chen@clenergy.com

Worldwide Network

